

Comply and compatible with 24 inch international standard, metric system and ETSI standard. Reliable structure and static loading achieves to 800 kg.

Adjustable feet and castors are available, moving conveniently and fixing reliable. Baying together easy, quickly efficiently and firmly.



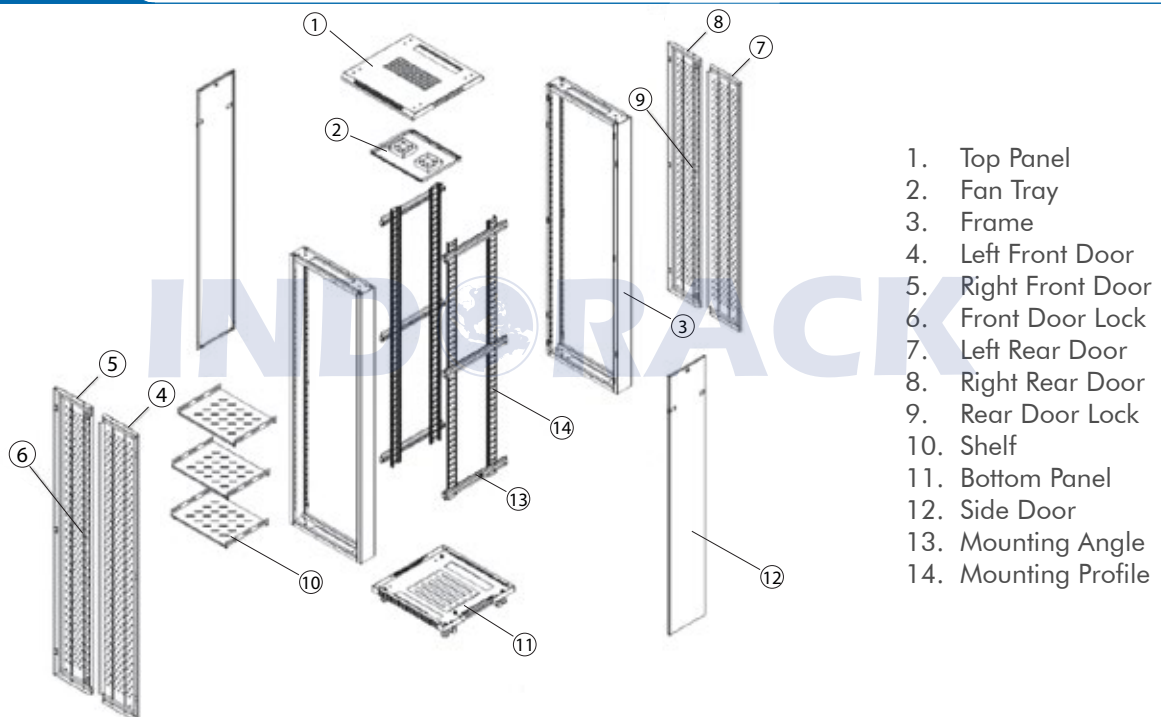
Front View



Product Description

Product Type	Perforated Door Close Rack
Product ID	IRP9042P
Size	42U
Weight	± 105 kg
Dimension (DxWxH)	900 x 800 x 2070 mm
Complete Set with	<ul style="list-style-type: none"> • Perforated Front Door, Steel Rear Door and 2 Side Door with lock • 1 Unit Horizontal PDU 12 outlet w/ switch • 2 Unit Fan Modular w/ 2 Fan • 1 pc Fixed Shelf • 1 pc Top Brush Panel • 1 set Cable Ring • 1 set Adjustable Foot of 4 • 1 set Castor of 4 • 100 set M06 (Cagenuts & Screws)

Product Drawing





Side View



Back View

Optional cable entry on top cover and bottom panel. Front door, rear door and side panel can be removed facility, the bottom has the function of ventilation and rat-proof. Varies optional accessories, reliable quality.



Product Drawing

