

Front Side

Comply and compatible with 24 inch international standard, metric system and ETSI standard. Frame is built up by double pipes profile and appropriate 3 tees joint for solid structure and static loading achieves to 1500kg.

High density vented hole front and rear door, meeting the ventilation requirements.



Product Description

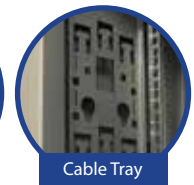
Product Type	Perforated Door PRO Series
Product ID	PRO12042P
Size	42U
Weight	± 180.65 kg
Dimension (DxWxH)	1200 x 800 x 2015 mm
Complete Set with	<ul style="list-style-type: none"> • Perforated Front Door (Digital Lock) and Rear Door with Lock • Side Door with Lock • 1Unit Vertical PDU 12 Outlet with Switch • 2Unit Modular Fan for Rack (4 Fan) • 1Pcs Fixed Shelf • 1Set Castor set of 4 • 2Pcs Cable Tray • 1Set Adjustable Foot of 4 • 100Set Cagenut & Screw



Digital Lock



Modular Fan



Cable Tray



Cable Line



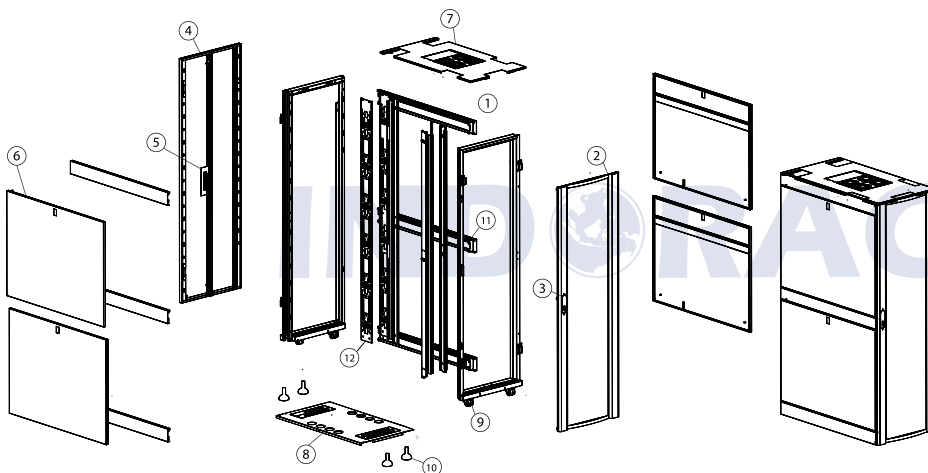
Brush Panel



Side Door

A server rack door that utilizes pins is an important component designed to provide secure and restricted access to the servers installed within it.

Product Drawing



1. Main Frame
2. Front Door
3. Front Digital Lock
4. Rear Door
5. Rear Door Lock
6. Side Doors
7. Top Panel
8. Bottom Panel
9. Castor
10. Adjustable Feet
11. Mounting Angle
12. Cable Tray

Back Side



The side door easy to be installed & uninstalled quickly which make the working conveniently. Include castor & adjustable feet which make the moving and fixing easily.

Front and rear door angle can open 130 degree with top cable entry hole with rubber cover. Comfortable handle with safe lock & rear door 3-point handle lock system enlarges the security.

Product Drawing

