

Comply and compatible with 19 inch international standard, metric system and ETSI standard. Reliable structure and static loading achieves to 800 kg.

Adjustable feet and castors are available, moving conveniently and fixing reliable. Baying together easy, quickly efficiently and firmly.



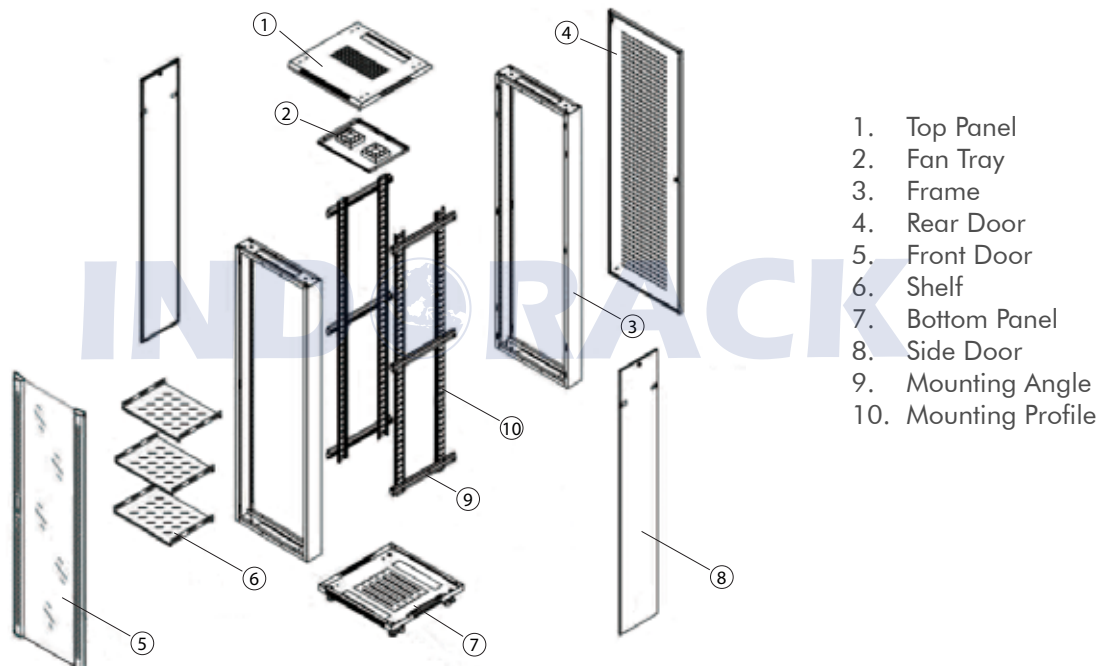
Front View



Product Description

Product Type	Glass Door Close Rack
Product ID	IR8015G
Size	15U
Weight	± 56.5 kg
Dimension (DxWxH)	800 x 600 x 855 mm
Complete Set with	<ul style="list-style-type: none"> • Perforated Front Door, Steel Rear Door and 2 Side Door with lock • 1 Unit Horizontal PDU 8 outlet with switch • 1 Unit Fan Modular with 2 Fan • 1 pc Fixed Shelf • 1 pc Top Brush Panel • 1 set Cable Ring • 1 set Adjustable Foot of 4 • 1 set Castor of 4 • 20 set M06 (Cagenuts & Screws)

Product Drawing



The side door easy to be installed & uninstalled quickly which make the working conveniently. Include castor & adjustable feet which make the moving and fixing easily.

Comfortable handle with safe lock front and rear door lock system enlarges the security.



Back View



Side View



Product Drawing

